



US00D645040S

(12) **United States Design Patent**  
**Morton et al.**

(10) **Patent No.:** **US D645,040 S**

(45) **Date of Patent:** **\*\* Sep. 13, 2011**

(54) **HANDHELD ELECTRONIC DEVICE**

(56) **References Cited**

(75) Inventors: **Timothy J. Morton**, Austin, TX (US);  
**Rene E. Menard, III**, Tampa, FL (US);  
**Christopher A. Torres**, San Marcos, TX (US)

U.S. PATENT DOCUMENTS

D413,582	S	*	9/1999	Tompkins	.....	D14/344
D493,457	S	*	7/2004	Hsu	.....	D14/346
D497,161	S	*	10/2004	Chien	.....	D14/346
D503,170	S	*	3/2005	Leviel et al.	.....	D14/341
D510,576	S	*	10/2005	Summit et al.	.....	D14/341
D532,326	S	*	11/2006	Ishii	.....	D10/70
D612,356	S	*	3/2010	Chen	.....	D14/138 AD
D633,088	S	*	2/2011	Liao	.....	D14/341

(73) Assignee: **Sypris Electronics, LLC**, Tampa, FL (US)

\* cited by examiner

(\*\*) Term: **14 Years**

*Primary Examiner* — Cathron Brooks

*Assistant Examiner* — Barbara Fox

(21) Appl. No.: **29/376,305**

(74) *Attorney, Agent, or Firm* — Law Offices of Thomas J. Brindisi

(22) Filed: **Oct. 5, 2010**

(51) **LOC (9) Cl.** ..... **14-02**

(57) **CLAIM**

The ornamental design for a handheld electronic device, as shown and described.

(52) **U.S. Cl.** ..... **D14/341**

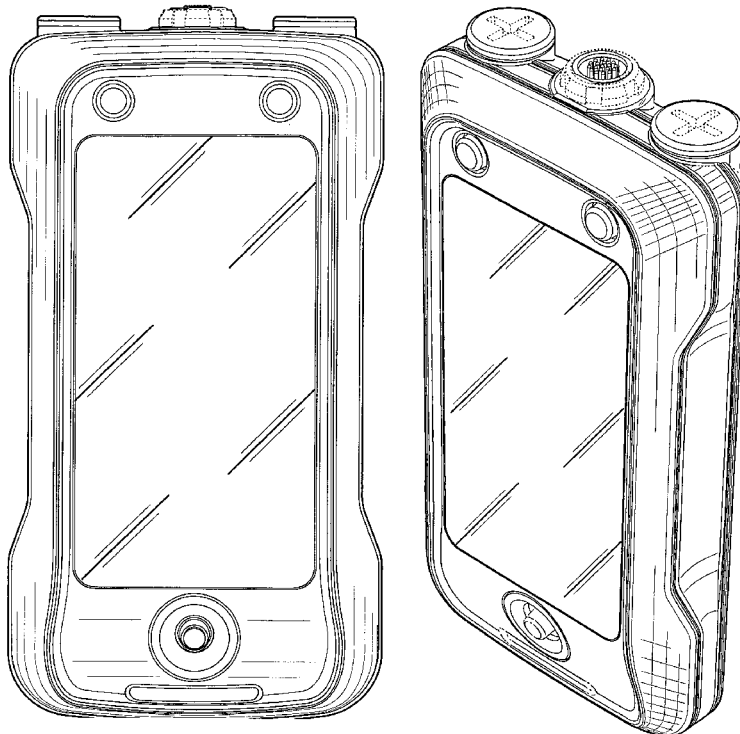
**DESCRIPTION**

(58) **Field of Classification Search** ..... D14/341-347,  
D14/137, 138, 138.1, 138 AA, 138 R, 138 AB,  
D14/138 AC, 138 AD, 138 C, 138 G, 496,  
D14/203.1, 203.3, 203.4, 203.5, 203.6, 203.7,  
D14/426, 427, 428, 432, 429, 129, 130, 420,  
D14/439-441, 448, 125, 147, 156, 218, 247-248,  
D14/250, 389, 336; D10/65, 104; D18/6-7;  
D21/29, 686, 33, 324, 329, 330; D6/596,  
D6/601, 605; D19/60; 345/169, 901, 905;  
348/169; 361/814; 341/122; 346/173; 379/433.04,  
379/433.07, 433.11, 433.12, 433.13, 910,  
379/916, 433.01, 433.06

FIG. 1 is a front view of a handheld electronic device showing our new design;  
FIG. 2 is a rear view of thereof;  
FIGS. 3 and 4 are side views thereof;  
FIG. 5 is a top view thereof;  
FIG. 6 is a bottom view thereof;  
FIG. 7 is a front perspective view thereof; and,  
FIG. 8 is a rear perspective view thereof.  
The broken lines in the drawings illustrate unclaimed portions of the handheld electronic device and form no part of the claimed design.

See application file for complete search history.

**1 Claim, 8 Drawing Sheets**



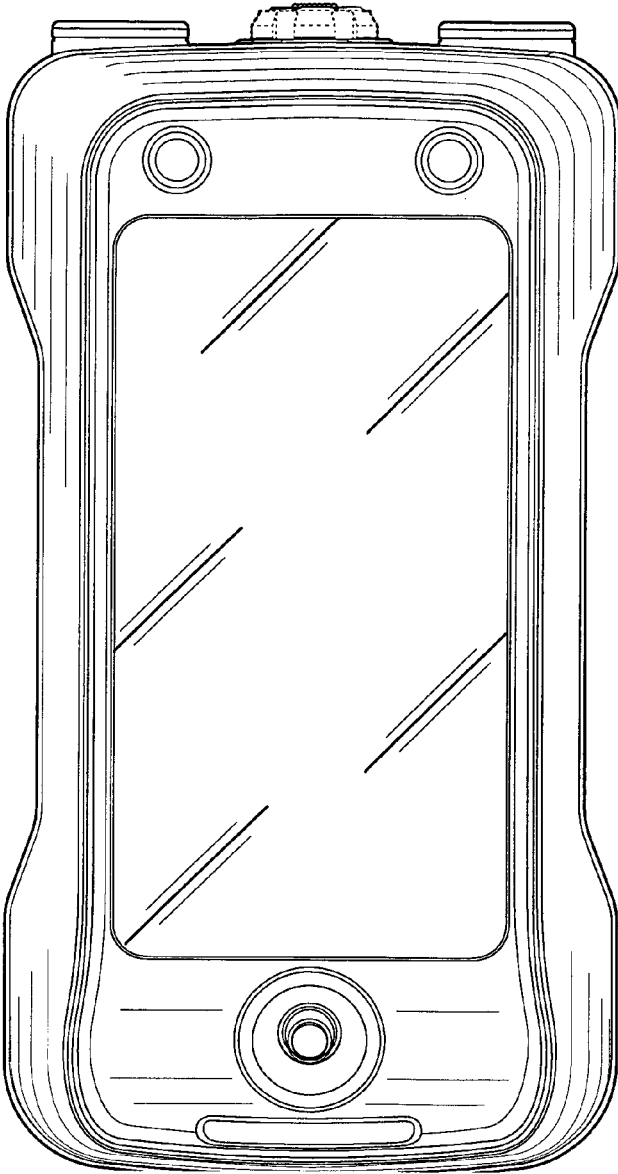


Fig. 1

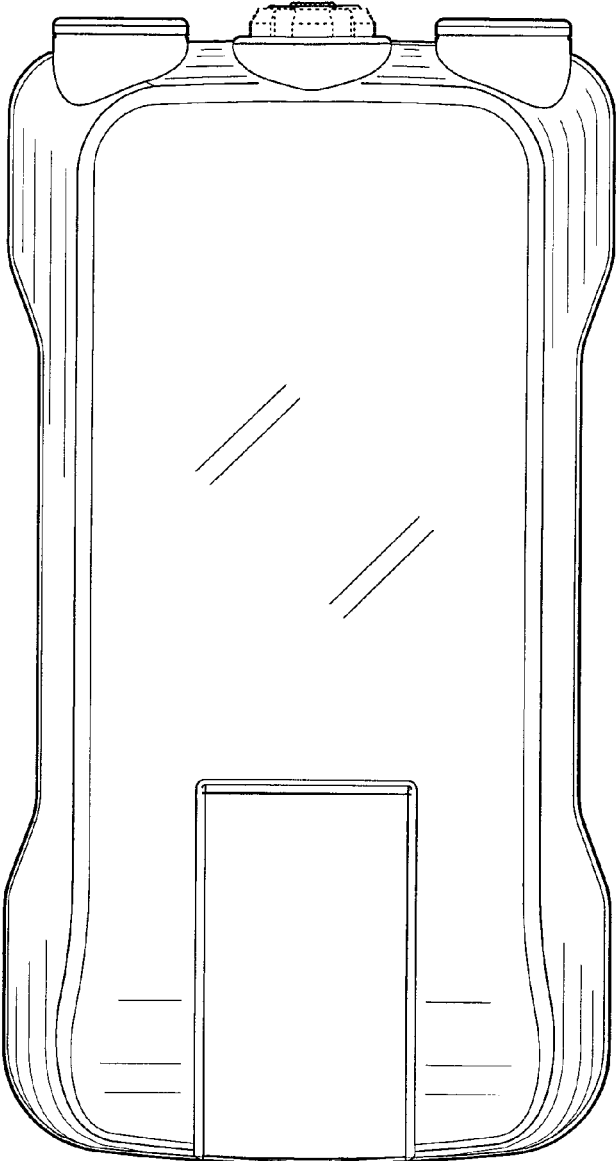


Fig. 2

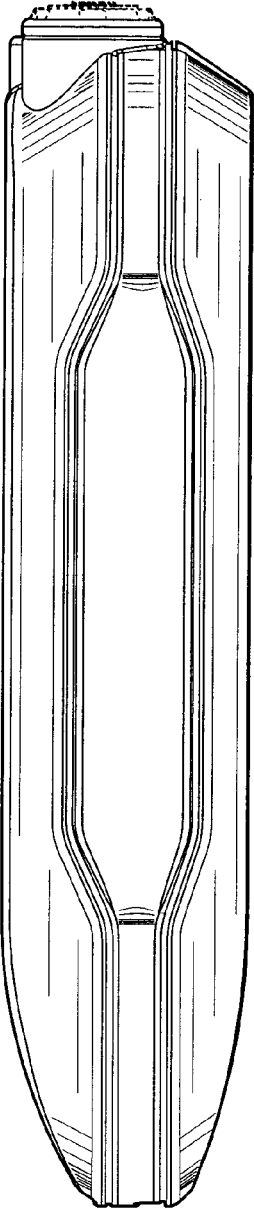


Fig. 3

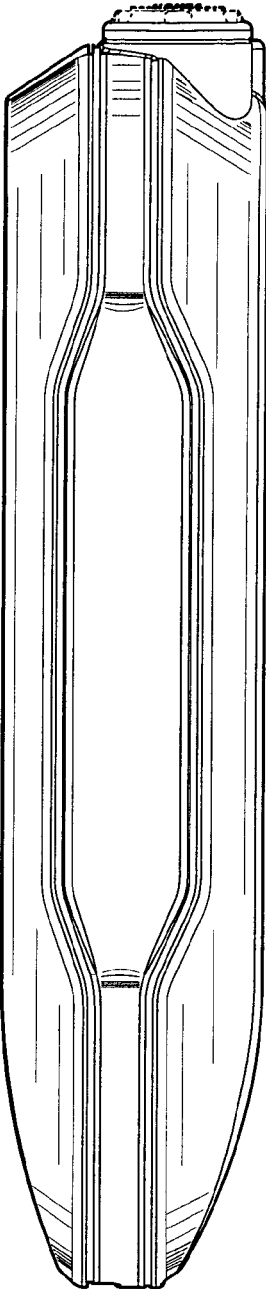


Fig. 4

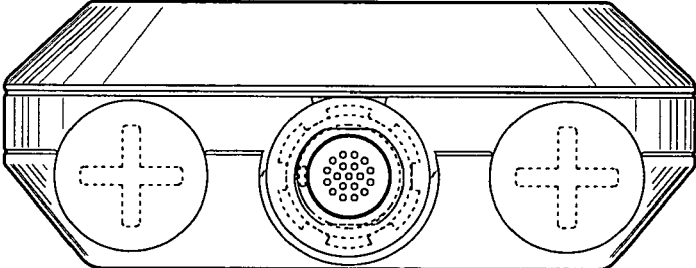


Fig. 5

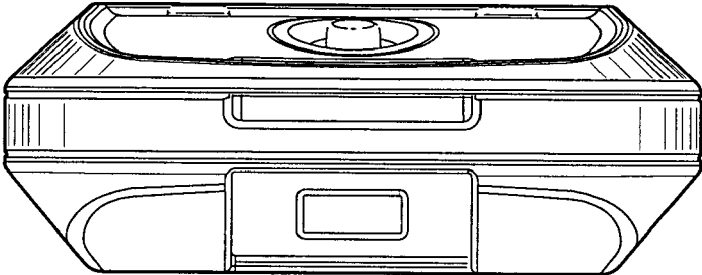


Fig. 6

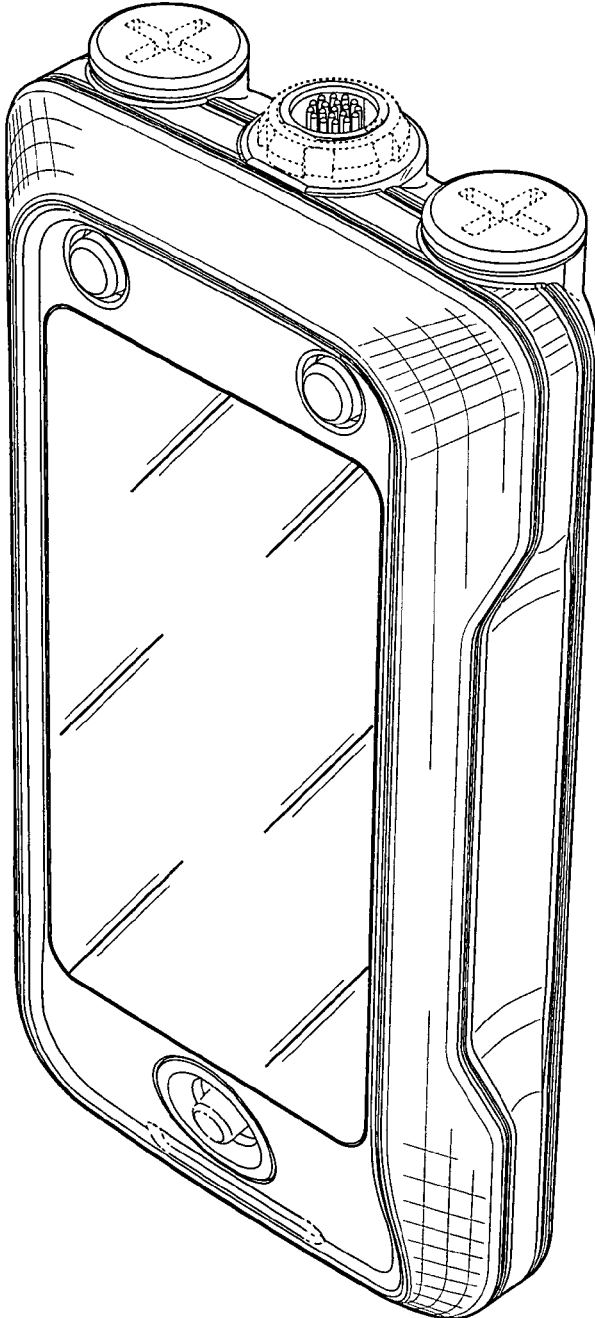


Fig. 7



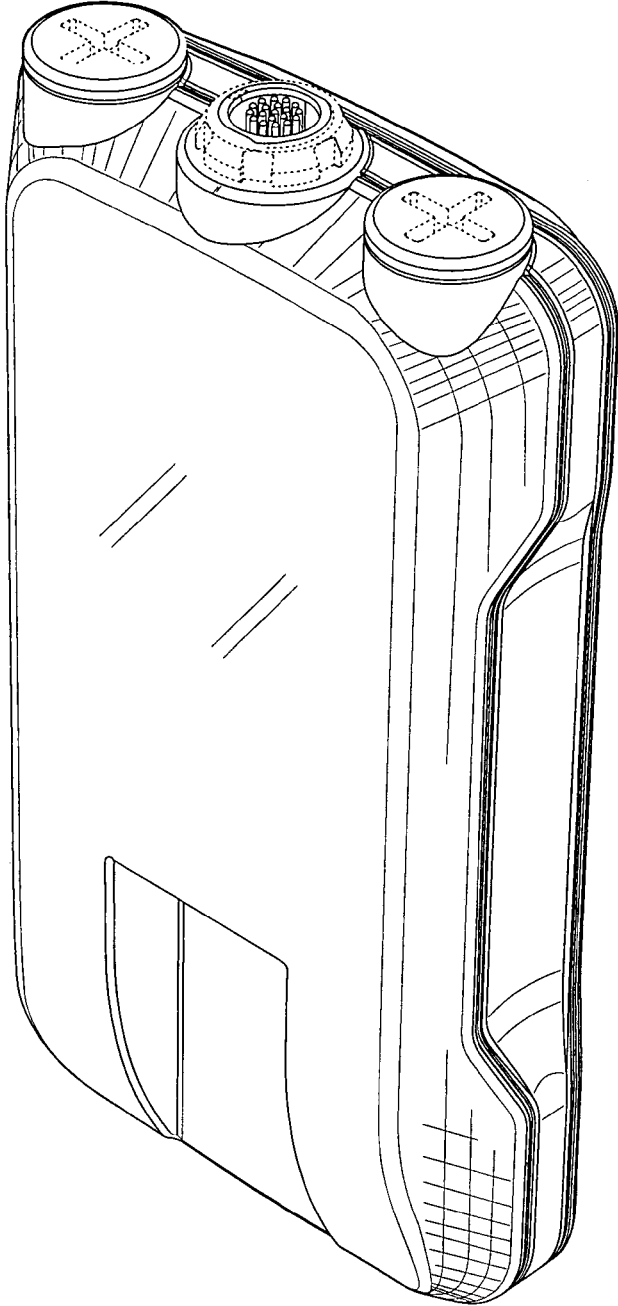


Fig. 8